

*Simple, Comprehensive Solutions
for the Hemostasis Laboratory*

ACL

ELITE

ACL

ELITE PRO



Simple, Comprehensive Solutions for the Hemostasis Laboratory



Routine, specialty and STAT assays on compact, convenient and easy-to-use systems.

ACL ELITE® PRO

- Offers a unique combination of process automation for the medium-volume laboratory.

ACL ELITE

- Simplified, offering the same testing capability for the lower volume, less demanding laboratory.

ACL ELITE Systems

- Random Access Processing for minimized turnaround time
- STAT PT and APTT available in as little as eight minutes
- Bar-coded reagents (standard on ACL ELITE PRO)
- Superior walk-away capacity for 40 samples and up to 260 on-board cuvettes
- STAT Interrupt and Continuous sample loading for un-interrupted testing capability
- Large integrated color touch-screen
- Intuitive, easy-to-use “Windows®-like” software streamlines system operation
- Minimal mechanical components ensures robustness in design and requires minimal maintenance
- Comprehensive test menu makes specialty testing as simple as routine testing

Flexibility

- Multiple operation modes allow a lab to run the system for maximum efficiency
- 300-test protocol capacity, including 100 customizable by the user
- User-defined reflex testing rules
- User-defined test profiles allow for efficient usage of all reagent positions
- Multiple calibration modes including calibration during sample analysis

Sample Processing

- Removable tray accommodates sample cups and primary tubes of varying sizes and fill volumes
- On-board bar-code reader ensures accurate sample identification
- STAT samples can be entered at any time in any position on the tray
- One-touch Run starts processing with the press of a button

Reagent Handling

- The ACL ELITE PRO accommodates 22 reagents; the ACL ELITE holds 18
- Reagents can be aspirated directly from the vial
- All reagent positions are monitored for volume and on-board stability
- "Profiling" tests allows a large number of test combinations to be processed within the same analytical session
- Hand-held bar-code reader for reagent vial identification (standard on ACL ELITE PRO)



The external bar-code reader identifies material and checks the lot number and expiration date

Simple, Comprehensive Solutions for the Hemostasis Laboratory

Wash-R Bottle

One-liter Wash-Reference emulsion; continuous real-time monitoring of liquid level performed through a sensor system.

Dilutors

Precision and accuracy obtained with unique solid-state, fluidic dispensing system.

Sample Tray

Expanded capability holds up to 40 primary tubes/cups and ten additional reagents (from A1 to A10).

Reagent Area

Eight positions dedicated to reagents (from R1 to R8) on ACL ELITE; four additional refrigerated positions available (from R9 to R12) on ACL ELITE PRO.

Disk Drive

Computer-controlled backup, restore, software upgrades, export functions (i.e., patient data, QC data, reaction curves).



LCD and Touch-screen

Unbeatable ease of use: just one touch starts the analyzer. Tilts for easy positioning.



Rotor Stack

Temperature-controlled and store up to 12 rotors; rotors can be loaded continuously.

Analysis Area

Two channels: 660 nm for clotting assays and 405 nm for chromogenic and immunological assays.

Rotor Movements and Mechanics

Cuvette flow managed by transport and robotic arm mechanisms, allowing walk-away capability.

Probe and Sensors

Two needles for sample and reagent aspiration/dispensation with capacitance liquid sensors.

Rotor Waste Container

Operator-safe and easily accessible.

Keyboard

In a drawer below the unit.

Adapters Storage Area

For storage of reagent adapters.



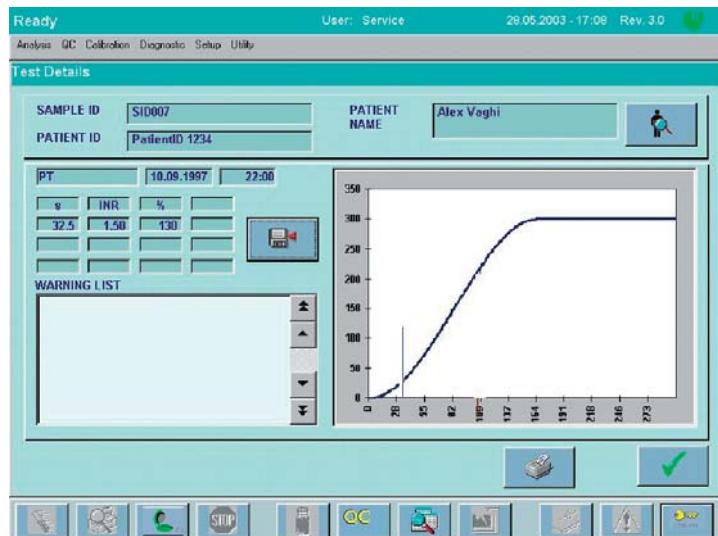
Simple, Comprehensive Solutions for the Hemostasis Laboratory

Test Analysis

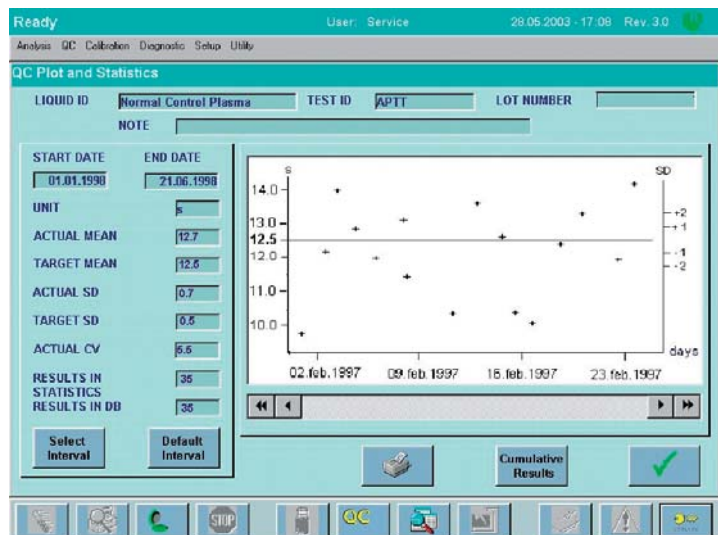
- Centrifugal analysis providing outstanding precision
- Multiple reading systems that optimize analysis efficiency
- Waste area and preheated rotor storage that are continually monitored and allow for emptying and refilling at any time, even if the system is processing samples
- Automated rotor transport from preheat station to analysis area, and then to waste bin when the rotor is completely used, allows increased walk-away capability

Software Capabilities

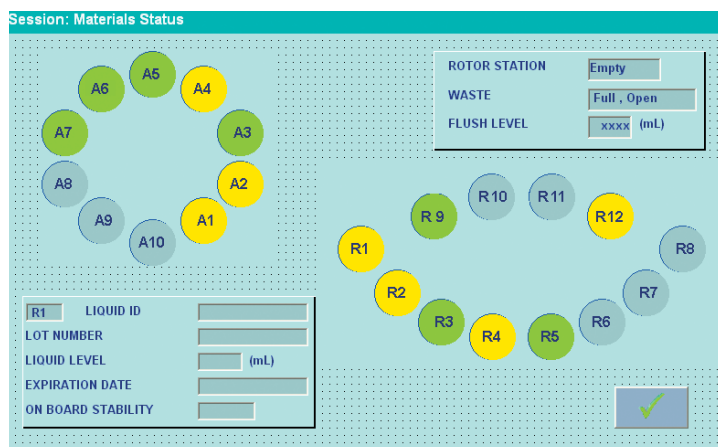
- Clot signature curves generated through superior optics provide clotting and absorbance tracking for all reactions
- User-defined Rerun and Reflex criteria
- Calibrations can be performed in run along with patient samples
- Customizable system security allows tracking of user actions by lab management
- Disk-drive allows system settings to be exported and saved, along with patient and QC data
- Bi-directional host interface with host query
- Fully automated Factor Parallelism
- Customizable audible alerts



Detailed information is available for each patient in a single record, including reaction curve



Levey-Jennings graphs may be viewed and printed for complete QC monitoring



Material map provides a graphical display of reagent status

HemosIL® Reagents

- Up to 29 applications are now available on the ACL ELITE and ELITE PRO
- HemosIL reagents are optimized for IL systems
- The exceptional range of sensitivity allows for consistent and superior performances
- HemosIL provides the highest standard of manufacturing and quality control

Comprehensive Test Menu

Routine:

- PT RecombiPlasTin
- PT-Fibrinogen Recombinant
- PT-Fibrinogen-HS Plus
- PT-Fibrinogen-HS
- PT-Fibrinogen
- APTT SynthASil®
- APTT-SP
- APTT SynthAFax®
- APTT Lyophilized Silica*
- Fibrinogen-Clauss
- Thrombin Time (TT)
- Pro-IL-Complex*
- Hepatocomplex*

DVT and PE Diagnosis:

- D-Dimer

Thrombophilia Screening:

- Antithrombin
- Protein-C (chromogenic and clotting)
- Protein S (functional and antigenic)
- Factor V Leiden (APCR-V)
- Homocysteine

Lupus Anticoagulants:

- LAC Screen and LAC Confirm
- Silica Clotting Time

Coagulation Factors and VWF:

- FII, FV, FVII, FX Deficient Plasma
- FVIII, FIX, FXI, FXII Deficient Plasma
- FXIII Antigen
- Chromogenic FVIII
- von Willebrand Factor Antigen
- von Willebrand Factor Activity

Other Specialty Assays:

- Heparin
- Plasminogen
- Plasmin Inhibitor

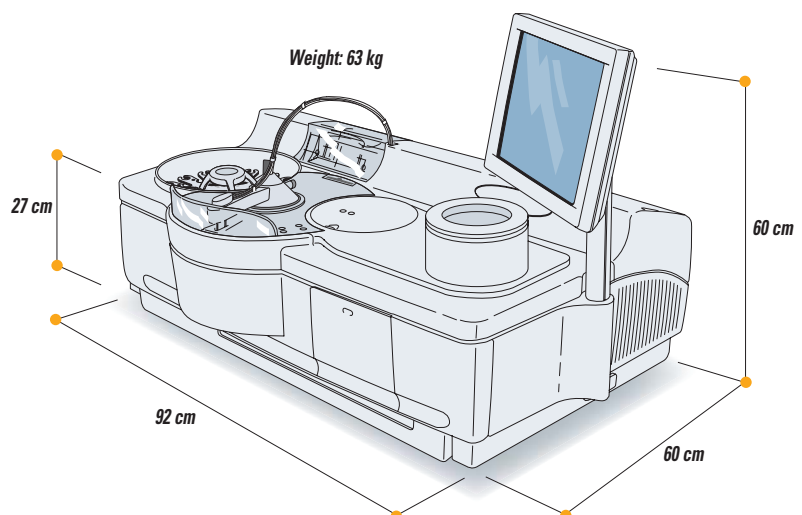
Calibrators and Controls:

- Calibration Plasma
- Normal Control Plasma
- Low Abnormal Control Plasma
- High Abnormal Control Plasma
- Special Test Control Level 1
- Special Test Control Level 2
- D-Dimer Controls (Low and High)
- Low Fibrinogen Control

* Not currently available in the United States

System Specifications

Coagulometric Wavelength	660 nm	
Chromogenic and Latex Wavelength	405 nm	
Immunological Tests	✓	
Samples On-board (13 x 64 mm, 13 x 75 mm, 13 x 100 mm, 11.5 x 64 mm, 11.5 x 92 mm primary tubes types and cups)	Up to 40	
Reagents On-board (16, 10, 4 mL vials type)	18 ACL ELITE	22 ACL ELITE PRO
Cuvettes On-board	20 ACL ELITE	260 ACL ELITE PRO
On-board Bar-code Reader	✓	
Sample Predilution	✓	
Automated Curve Predilution	✓	
STAT Capability	✓	
Automated Sample Loading	✓	
Automated Rotor Loading	N/A ACL ELITE	✓ ACL ELITE PRO
Patient Data Storage	30,000 tests - 1,000 samples by 30 tests	
Quality Control	50 Controls by 20 tests each (750 files by 500 results each)	
Analytical Reference	✓	
Reaction Curves Displayed	✓	
Rerun and Reflex Tests	60 rules, 3 criteria each, 10 reflex tests per rule	
Liquid (sample and reagent) Sensors	✓	
Touch-screen (graphic)	✓	
Automatic Printing	✓	
External Printer	Optional (USB or Parallel)	
ESCP2 Emulation Protocol for the External Printer	✓	
HP-PCL Emulation Protocol for the External Printer	✓	
ASTM Bi-directional Interface	✓	
Automatic Downloading (Host Query)	✓	
Automatic Uploading	✓	
Mouse	✓	
Throughput	PT/Fib (PT based) APTT PT/Fib (PT based)/APTT	Up to 175/hour Up to 125/hour Up to 70 Samples/hour



Other members of the ACL Family

ACL TOP®

For the large-volume laboratory with clotting, chromogenic and immunological assays: routine and specialty; available with CTS for closed-tube sampling



ACL TOP 500 CTS

For the medium-to-large-volume laboratory with clotting, chromogenic and immunological assays: routine and specialty; with CTS for closed-tube sampling



ACL Advance

For the medium-volume laboratory with clotting, chromogenic and immunological assays



ACL 200, 1000, 7000

The ACL Classic Systems: Easy-to-use, basic line of compact instruments for clotting, chromogenic tests and immunological assays



Werfen Group IVD

Worldwide Locations

Corporate Headquarters

Barcelona, Spain
Tel. +34-93-4010101
www.werfengroup.com

Instrumentation Laboratory Headquarters

Lexington, MA
Tel. +1-781-861-0710
www.ilwww.com

US, Canada, Latin and South America

IL USA
Lexington, MA
Tel. +1-781-861-0710
www.ilus.com

Werfen Medical Brazil
São Paulo, SP
Tel. +55-11-37353641

IL Canada
Richmond Hill, ON
Tel. +1-800-522-2025 x6115

IL Mexico
Col. Granada
Tel. +52-55-5262-1760
www.il-mexico.com.mx

Izasa Uruguay
Montevideo
Tel. +59-82-4818133

Pacific

Werfen Medical China
Shanghai
Tel. +86-21-32100745

Werfen Hong Kong
Hong Kong
Tel. +852-27927773

IL India
Janakpuri, New Delhi
Tel. +91-11-25510137

IL Japan
Minato-ku, Tokyo
Tel. +81-3-3437-6350

Werfen Medical Korea
Seo Cho-ku
Tel. +82-2-571-9246
www.werfenmedical.com

Europe, Middle East, Africa

Werfen Austria
Vienna
Tel. +43-1-2565800-0

IL Belgium
Zaventem
Tel. +32-2-7252052
www.il-be.com

Comesa Czech
Prague
Tel. +420-2-7816047

IL France
Paris
Tel. +33-1-53338600
www.il-france.fr

IL Germany
Munich
Tel. +49-89-909070
www.il-ger.de

IL Holland
Breda
Tel. +31-76-5480100
www.il-nl.com

Comesa Hungary
Budapest
Tel. +36-1-4392910 or 11

IL Italy
Milan
Tel. +39-02-25221
www.il-italia.it

IL Lithuania
Kaunas
Tel. +370-37-313157

Comesa Poland
Warsaw
Tel. +48-22-3361800

Izasa Portugal
Camaxide
Tel. +351-21-4247300
www.izasa.com

IL Russia
Moscow
Tel. +7-495-9823723

Izasa Spain
Barcelona
Tel. +34-93-4010101
www.izasa.com

IL UK
Warrington, Cheshire
Tel. +44-1925-81-0141
www.il-uk.com

Instrumentation Laboratory, Comesa and Izasa are Companies of Werfen Group IVD

Applications/tests listed may not yet be approved by the regulatory authorities in your country. Please contact the appropriate office above for specific information regarding availability in your country. IL product specifications are subject to modification. Some of the IL sites may still be in the process of completing ISO. ACL is trademark of Instrumentation Laboratory and ACL TOP, HemosIL, SynthASil, SynthAFax and ACL Elite are registered trademarks of Instrumentation Laboratory. Windows is a registered trademark of Microsoft Corporation.
© Copyright 2005 Instrumentation Laboratory.

